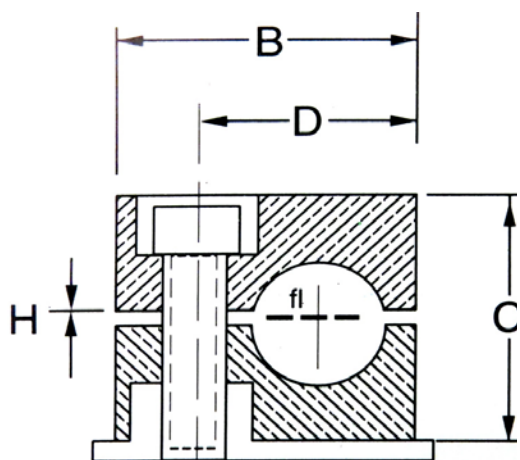


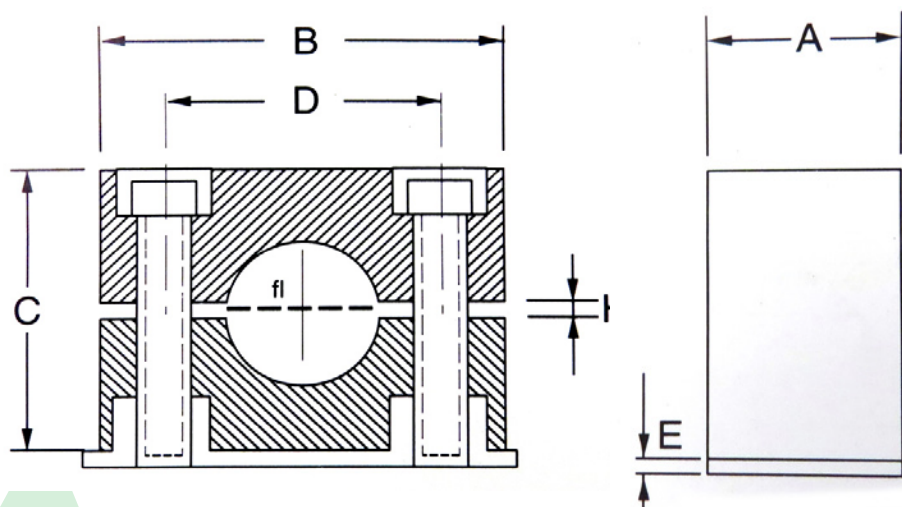
Soportes Serie Standard S1 a S9



Serie S1



Serie S2 a S9



POLIPROPILENO O ALUMINIO

Código Hidro-Tub	Serie	Diámetro en mm.	Caño pul. ing.	Tubo pul. ing.	D I M E N S I O N E S					
					A	B	C	D	E	H
HT S1 6.00	S1	6	-	-	30	28	28	19.5	3	0.6
HT S1 6.35	S1	6.35	-	1/4"	30	28	28	19.5	3	0.6
HT S1 8.00	S1	8	-	5/16"	30	28	28	19.5	3	0.6
HT S1 9.52	S1	9.52	-	3/8"	30	28	28	19.5	3	0.6
HT S1 10.00	S1	10	1/8"	-	30	28	28	19.5	3	0.6
HT S1 12.00	S1	12	-	-	30	28	28	19.5	3	0.6
HT S1 12.70	S1	12.7	-	1/2"	30	28	28	19.5	3	0.6
HT S2 6.00	S2	6	-	-	30	37	28	20	3	0.6
HT S2 6.35	S2	6.35	-	1/4"	30	37	28	20	3	0.6
HT S2 8.00	S2	8	-	5/16"	30	37	28	20	3	0.6
HT S2 9.52	S2	9.52	-	3/8"	30	37	28	20	3	0.6
HT S2 10.00	S2	10	1/8"	-	30	37	28	20	3	0.6
HT S2 12.00	S2	12	-	-	30	37	28	20	3	0.6
HT S2 12.70	S2	12.70	-	1/2"	30	37	28	20	3	0.6
HT S3 12.70	S3	12.70	-	1/2"	30	43	33	26	3	0.8
HT S3 13.70	S3	13.70	1/4"	-	30	43	33	26	3	0.8
HT S3 14.00	S3	14	-	-	30	43	33	26	3	0.8
HT S3 15.00	S3	15	-	-	30	43	33	26	3	0.8
HT S3 15.87	S3	15.87	-	5/8"	30	43	33	26	3	0.8
HT S3 16.00	S3	16	-	-	30	43	33	26	3	0.8
HT S3 17.10	S3	17.10	3/8"	-	30	43	33	26	3	0.8
HT S3 18.00	S3	18	-	-	30	43	33	26	3	0.8

Soportes Serie Standard S1 a S9



POLIPROPILENO O ALUMINIO					D I M E N S I O N E S					
Código Hidro-Tub	Serie	Diámetro en mm.	Caño pul. ing.	Tubo pul. ing.	A	B	C	D	E	H
HT S4 19.05	S4	19.05	-	3/4"	30	50	36	33	3	1
HT S4 20.00	S4	20	-	-	30	50	36	33	3	1
HT S4 21.30	S4	21.30	1/2"	-	30	50	36	33	3	1
HT S4 22.22	S4	22.22	-	7/8"	30	50	36	33	3	1
HT S4 25.00	S4	25	-	-	30	50	36	33	3	1
HT S4 25.40	S4	25.40	-	1"	30	50	36	33	3	1
HT S5 26.60	S5	26.60	3/4"	-	30	57	44	40	3	1
HT S5 28.00	S5	28.00	-	-	30	57	44	40	3	1
HT S5 28.57	S5	28.57	-	-	30	57	44	40	3	1
HT S5 30.00	S5	30	-	-	30	57	44	40	3	1
HT S5 31.75	S5	31.75	-	1 1/4"	30	57	44	40	3	1
HT S6 31.75	S6	31.75	-	1 1/4"	30	70	56.50	52	3	1.40
HT S6 32.00	S6	32	-	-	30	70	56.50	52	3	1.40
HT S6 33.40	S6	33.40	1"	-	30	70	56.50	52	3	1.40
HT S6 35.00	S6	35.00	-	-	30	70	56.50	52	3	1.40
HT S6 35.70	S6	35.70	-	-	30	70	56.50	52	3	1.40
HT S6 38.10	S6	38.10	-	1 1/2"	30	70	56.50	52	3	1.40
HT S6 40.00	S6	40	-	-	30	70	56.50	52	3	1.40
HT S6 42.20	S6	42.20	1 1/4"	-	30	70	56.50	52	3	1.40
HT S6 43.80	S6	43.80	-	-	30	70	56.50	52	3	1.40
HT S6 44.00	S6	44.00	-	-	30	70	56.50	52	3	1.40
HT S6 45.00	S6	45.00	-	-	30	70	56.50	52	3	1.40
HT S7 44.50	S7	44.50	-	-	30	85	66	66	3	2
HT S7 48.30	S7	48.30	1 1/2"	-	30	85	66	66	3	2
HT S7 50.80	S7	50.80	-	2"	30	85	66	66	3	2
HT S7 54.00	S7	54.00	-	-	30	85	66	66	3	2
HT S8 57.20	S8	57.20	-	-	30	120	91	92	4	2
HT S8 60.30	S8	60.30	2"	-	30	120	91	92	4	2
HT S8 63.50	S8	63.50	-	2 1/2"	30	120	91	92	4	2
HT S8 70.00	S8	70.00	-	2 3/4"	30	120	91	92	4	2
HT S8 73.00	S8	73.00	-	-	30	120	91	92	4	2
HT S8 75.00	S8	75.00	-	-	30	120	91	92	4	2
HT S8 76.20	S8	76.20	2 1/2"	-	30	120	91	92	4	2
HT S9 88.90	S9	88.90	3"	-	30	147	118	120	4	3
HT S9 102.00	S9	102	-	4"	30	147	118	120	4	3