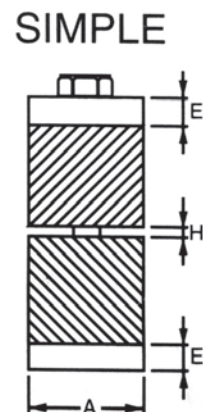
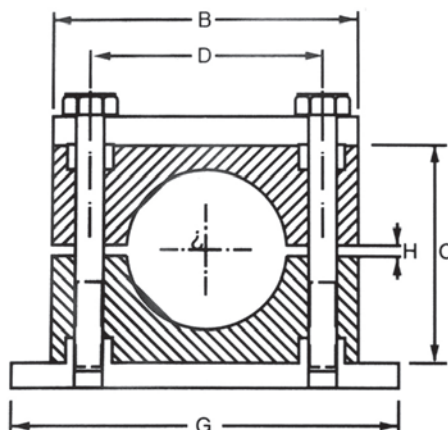
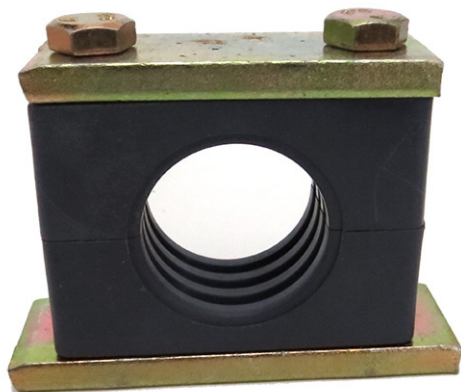


Soportes Serie Pesada S1 a S9



POLIPROPILENO O ALUMINIO

Código Hidro-Tub	Serie	Diámetro en mm.	Caño pul. gas.	Tubo pul. ing.	DIMENSIONES EN MM.						
					A	B	C	D	E	H	G
HT SP1 6.35	SP1	6.35	-	1/4	30	58	33	33	7.94	1	75
HT SP1 8.00	SP1	8	-	5/16"	30	58	33	33	7.94	1	75
HT SP1 9.52	SP1	9.52	-	3/8"	30	58	33	33	7.94	1	75
HT SP1 10.00	SP1	10	1/8"	-	30	58	33	33	7.94	1	75
HT SP1 12.00	SP1	12	-	-	30	58	33	33	7.94	1	75
HT SP1 12.70	SP1	12.70	-	1/2"	30	58	33	33	7.94	1	75
HT SP1 13.70	SP1	13.70	1/4	-	30	58	33	33	7.94	1	75
HT SP1 15.00	SP1	15	-	-	30	58	33	33	7.94	1	75
HT SP1 15.87	SP1	15.87	-	5/8"	30	58	33	33	7.94	1	75
HT SP1 16.00	SP1	16	-	-	30	58	33	33	7.94	1	75
HT SP1 17.10	SP1	17.10	3/8"	-	30	58	33	33	7.94	1	75
HT SP1 18.00	SP1	18	-	-	30	58	33	33	7.94	1	75
HT SP1 19.05	SP1	19.05	-	3/4"	30	58	33	33	7.94	1	75

Soportes Serie Pesada S1 a S9



POLIPROPILENO O ALUMINIO					DIMENSIONES EN MM.						
Código Hidro-Tub	Serie	Diámetro en mm.	Caño pul. gas.	Tubo pul. ing.	A	B	C	D	E	H	G
HT SP2 19.05	SP2	19.05	-	-	30	72	49	45	7.94	1	89
HT SP2 20.00	SP2	20	-	-	30	72	49	45	7.94	1	89
HT SP2 21.30	SP2	21.30	1/2"	-	30	72	49	45	7.94	1	89
HT SP2 22.22	SP2	22.22	-	7/8"	30	72	49	45	7.94	1	89
HT SP2 25.00	SP2	25	-	-	30	72	49	45	7.94	1	89
HT SP2 25.40	SP2	25.40	-	1"	30	72	49	45	7.94	1	89
HT SP2 26.60	SP2	26.60	3/4"	-	30	72	49	45	7.94	1	89
HT SP2 28.00	SP2	28	-	-	30	72	49	45	7.94	1	89
HT SP2 30.00	SP2	30	-	-	30	72	49	45	7.94	1	89
HT SP3 31.75	SP3	31.75	-	1 1/4"	30	87	62	60	7.94	1.2	106
HT SP3 33.40	SP3	33.40	-	-	30	87	62	60	7.94	1.2	106
HT SP3 35.00	SP3	35	-	-	30	87	62	60	7.94	1.2	106
HT SP3 38.10	SP3	38.10	-	1 1/2"	30	87	62	60	7.94	1.2	106
HT SP3 40.00	SP3	40	-	-	30	87	62	60	7.94	1.2	106
HT SP3 40.20	SP3	40.20	1 1/4"	-	30	87	62	60	7.94	1.2	106
HT SP3 44.50	SP3	44.50	-	-	30	87	62	60	7.94	1.2	106
HT SP4 38.10	SP4	38.10	-	1 1/4"	44	116	88	90	9.52	2	144
HT SP4 40.00	SP4	40	-	-	44	116	88	90	9.52	2	144
HT SP4 42.20	SP4	42.20	1 1/4"	-	44	116	88	90	9.52	2	144
HT SP4 44.50	SP4	44.50	-	1 3/4"	44	116	88	90	9.52	2	144
HT SP4 48.30	SP4	48.30	1 1/2"	-	44	116	88	90	9.52	2	144
HT SP4 50.80	SP4	50.80	-	2"	44	116	88	90	9.52	2	144
HT SP4 54.50	SP4	54.50	-	-	44	116	88	90	9.52	2	144
HT SP4 57.20	SP4	57.20	-	2 1/4"	44	116	88	90	9.52	2	144
HT SP4 60.30	SP4	60.30	2"	-	44	116	88	90	9.52	2	144
HT SP4 63.50	SP4	63.50	-	2 1/2"	44	116	88	90	9.52	2	144
HT SP4 70.00	SP4	70	-	2 3/4"	44	116	88	90	9.52	2	144
HT SP5 70.00	SP5	70	-	2 3/4"	60	155	120	122	9.52	3	202
HT SP5 73.00	SP5	73	2 1/2"	-	60	155	120	122	9.52	3	202
HT SP5 76.20	SP5	76.20	2 1/2"	3"	60	155	120	122	9.52	3	202
HT SP5 88.90	SP5	88.90	3"	3 1/2"	60	155	120	122	9.52	3	202
HT SP6 88.90	SP6	88.90	3"	3 1/2"	78	205	164	168	14.28	4	225
HT SP6 102.00	SP6	102	3 1/2"	4"	78	205	164	168	14.28	4	225
HT SP6 114.00	SP6	114	4"	4 1/2"	78	205	164	168	14.28	4	225
HT SP6 127.00	SP6	127	-	5"	78	205	164	168	14.28	4	225